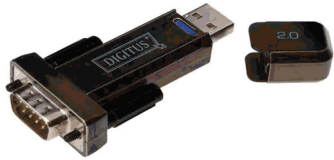
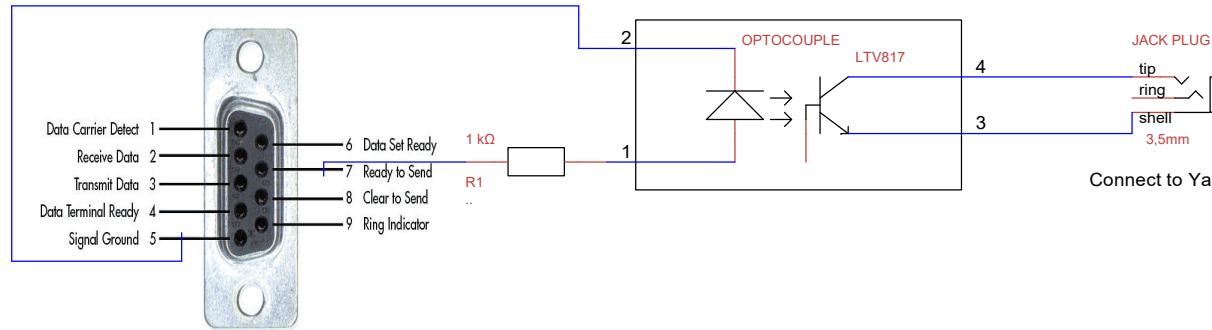


### Cable schema on Rig Side



USB to Serial 1



RS232 Socket 1

Connect to USB to Serial 1

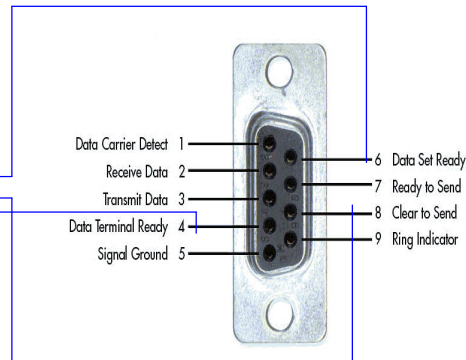


Connect to Yaesu FT-991A CW Jack Socket

### Cable schema on remote Key Side



Connect to Junkers Key



RS232 Socket 2

Connect to USB to Serial 2



USB to Serial 2



Junkers Key with 3,5mm Jack Plug

|          |   |          |            |
|----------|---|----------|------------|
| Title    | Junkers Remote Cables for Rig and Key         |          |            |
| Author   | Gottfried Rudorfer, OE3GRJ                    |          |            |
| File     | C:\User ... Junkers Remote Cable Diagrams.dsn | Document |            |
| Revision | 1.0   | Date     | 2020-12-24 |
|          |   | Sheets   | 1 of 1     |